

Inquiry form – pallet rollers

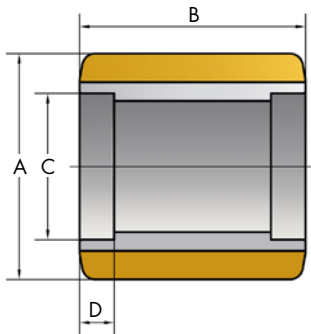
Please email to:

sales@bearcat.com.au

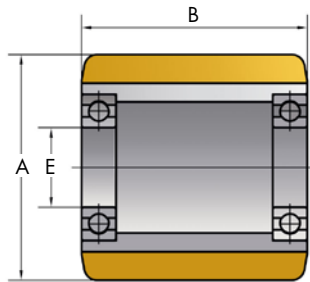
or fax: **02 9688 8800**

Please send me an offer for:

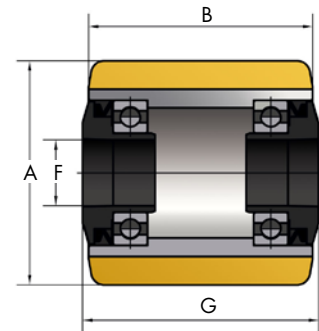
Pallet rollers _____ piece/s



Ball bearing seats



Ball bearings



Ball bearings and seals

Dimensions/Wheel material *Please fill out if known!

Ball bearing seats

Ball bearings

Ball bearings and seals

Wheel material _____

*Roller diameter (A) _____ (mm) *Roller width (B) _____ (mm)

*Bearing seat diameter (C) _____ (mm) *Bearing seat depth (D) _____ (mm)

*Bearing inner diameter (E) _____ (mm) *Axle diameter (F) _____ (mm)

Bearing Type _____ (mm) Load capacity _____ (kg)

Original spare part No. _____

Required date _____

Conditions /other _____
(speed, surface conditions, temperature etc.) _____

Customer number _____
(if present)

*Company name _____

*Last name _____ First name _____

*Address _____ *House number _____

*Postal code, city _____ *Country _____

*Phone No. _____ *Fax _____

*Email _____ Homepage _____

If available, please add a drawing or sketch to the inquiry.



Geschäftsführende Gesellschafter:
Dipl.-Volkswirt Dieter Henning
Dipl.-Kfm. (FH) Carsten Henning

